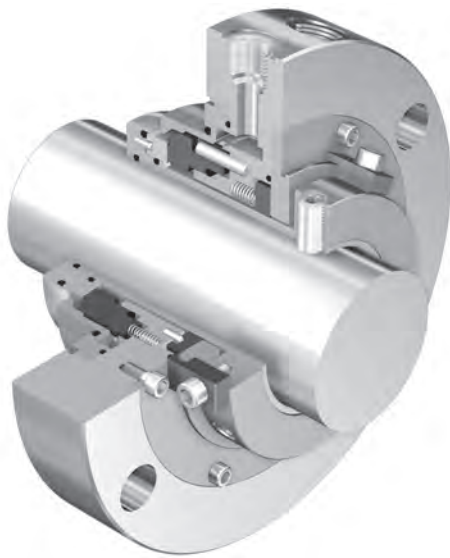
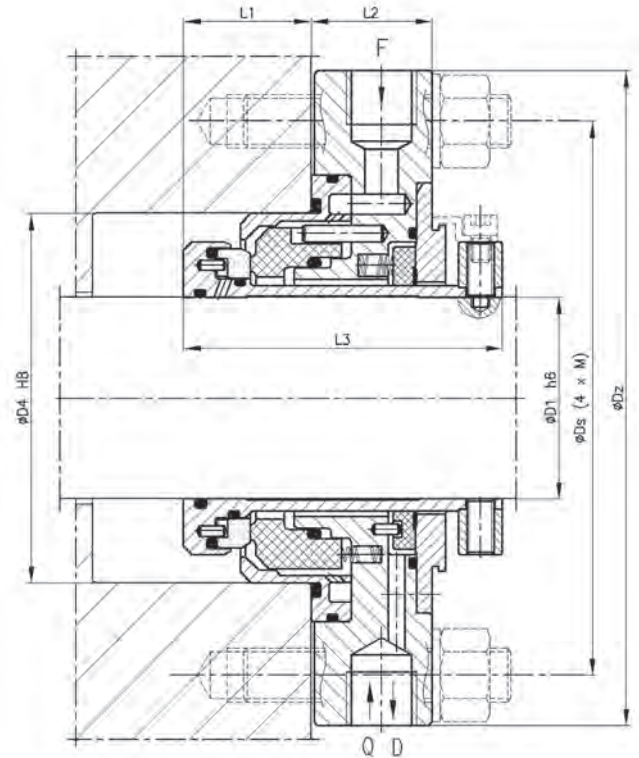


Operating limits*		
Speed	$v_{max}$	15 m/s
Temperature*		Pressure
$t_{max} = -40 \div 80 \text{ }^\circ\text{C}$		$p_{max} = 3.5 \text{ MPa}$
$t_{max} = 80 \div 130 \text{ }^\circ\text{C}$		$p_{max} = 3.1 \text{ MPa}$
$t_{max} = 130 \div 180 \text{ }^\circ\text{C}$		$p_{max} = 2.8 \text{ MPa}$
$t_{max} = 180 \div 250 \text{ }^\circ\text{C}$		$p_{max} = 2.2 \text{ MPa}$

\* - see note on page 3.



- Single compact (cartridge) mechanical seal
- Multi-spring, balanced, dual-directional
- Design according to EN ISO 21049 (API 682): type A, category 2 or 3, arrangement 1, configuration 1CW-FL (with a floating carbon throttle bushing)



## Features

- compact construction, it fits also into smaller pump stuffing boxes
- easy assembly and disassembly of the mechanical seal
- high resistance to deformation that could be caused by high pressure and high temperature
- very low emission of volatile substances into the atmosphere
- low friction due to the optimal form of main sealing rings
- carbon throttle ring causing no spark, blocks the emission of volatile substances into the atmosphere eg. with gas installation (nitrogen) according to API 682 and separates leakage into the secure zone – torch
- the seal connections enable to build the working arrangements with auxiliary installations according to API 682 Plan 11, 12, 13, 21, 22

## Dimensions (mm)

D1	D4	Ds	Dz	L1	L2	L3	M
40	90	125	160	38	36	95	12
50	100	140	180	38	36	95	16
60	120	160	200	38	36	95	16
70	130	170	210	38	36	95	16
80	140	180	220	38	36	95	16
90	160	205	245	38	36	95	20
100	170	215	255	40	36	100	20
110	180	225	265	40	36	100	20

Other dimensions are available as an option. Please contact ANGA.

## Application

BP is a universal mechanical seal designed especially for pump installations for fluid hydrocarbons with small density and high pressure occurring in refineries, in the petrochemical and chemical industries.

This mechanical seal is intended for the following mediums:

propane-butane, ethanol, acetone, cumene, ethylenic hydrocarbons (olefins  $C_nH_{2n}$ ), with high purity and having no abrasive particles.

The mechanical seal BP can seal also pure chemical substances, some organic acids and heavy hydrocarbons.

## Materials

Part	Code
Rotating ring	A, Q, U
Stationary ring	Q, U
Secondary, flexible seals	E, V, K
Spring	M
Other metal parts	G, M